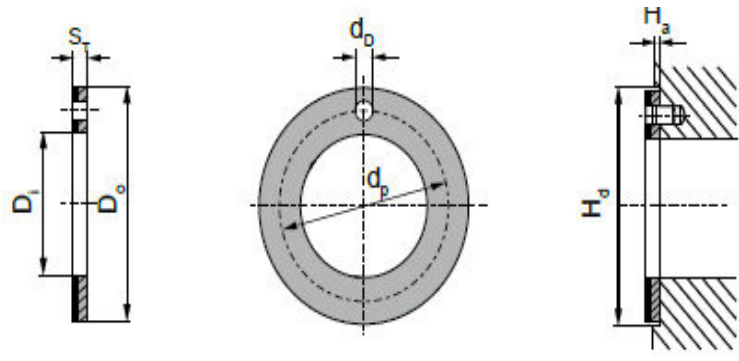


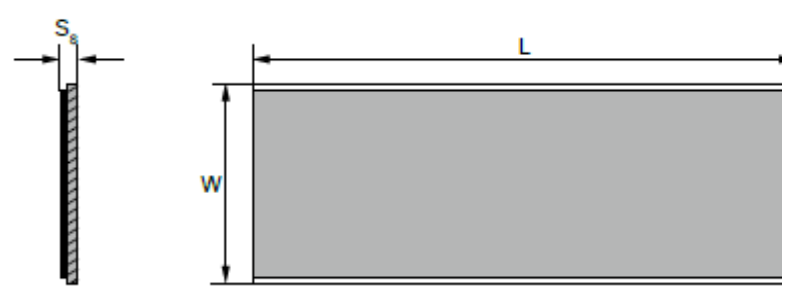
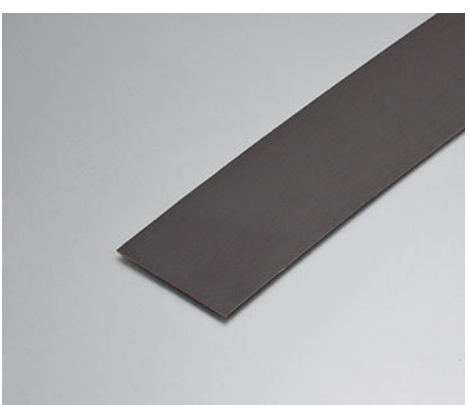
DNB-MP10W 止推垫片



Unit : mm

型号 Part No.	垫片尺寸 Washer size				安装尺寸 Assemble size		$H_{d+0.12}$
	$D_{i+0.25}$	$D_{o-0.25}$	$S_{T0.05}$	$d_{P\pm 0.125}$	$d_D^{+0.4}$ $+0.1$	$H_a^{+0.2}$ $-0.2$	
W10	10	20	1.5	15	1.5		20
W12	12	24	"	18	"		24
W14	14	26	"	20	2		26
W16	16	30	"	23	"		30
W18	18	32	"	25	"		32
W20	20	36	"	28	3		36
W22	22	38	"	30	"		38
W24	23	42	"	33	"		42
W26	26	44	"	35	"		44
W28	28	48	"	38	4		48
W32	32	54	"	43	"		54
W38	38	62	"	50	"		62
W42	42	66	"	54	"		66
W48	48	74	2	61	"	1.5	74
W52	52	78	"	65	"		78
W62	62	90	"	76	"		90

DNB-MP10SP 板材 Strip



型号 Part No.	长度L±1	宽度W±1	厚壁Wall thickness $S_{S-0.05}$
SP	500	150	10
SP	500	150	1.5
SP	500	150	2
SP	500	150	2.5



Unit : mm